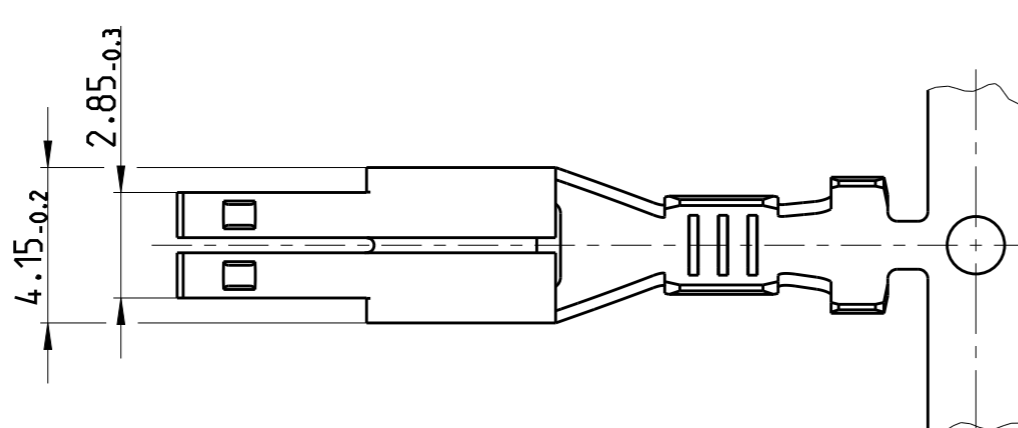
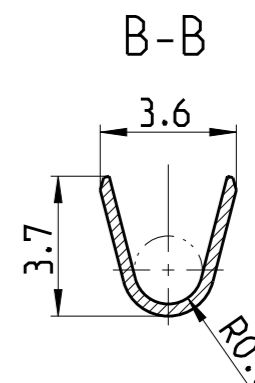
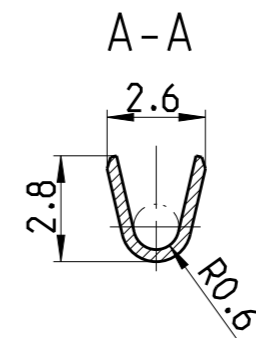
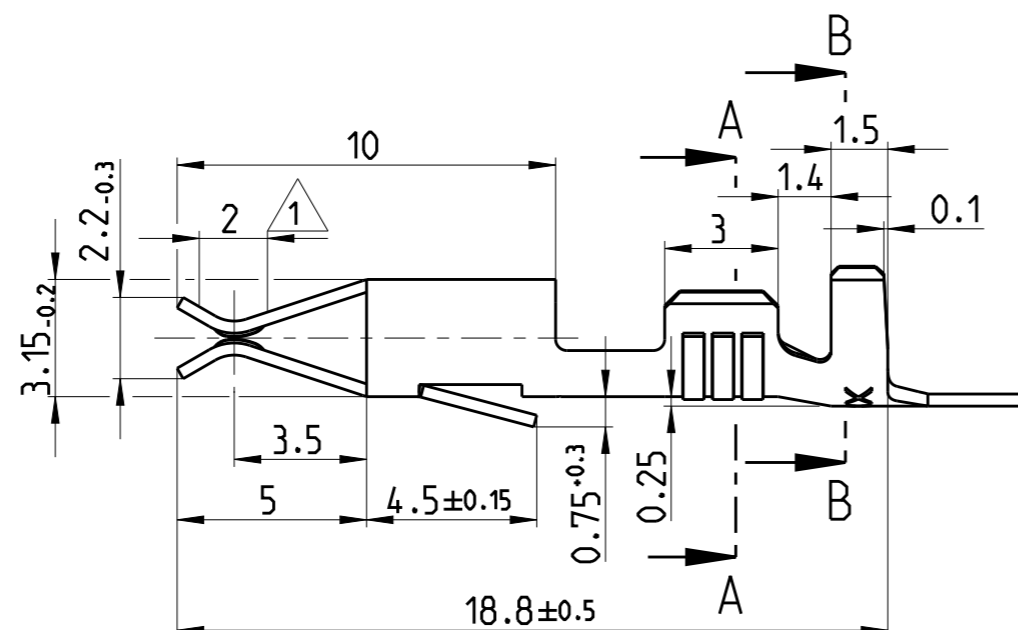


THIS DRAWING IS UNPUBLISHED. RELEASED FOR PUBLICATION 2013

© COPYRIGHT 2013 Tyco Electronics AMP GmbH ALL RIGHTS RESERVED.

| LOC | DIST | REVISIONS |     |                          |           |       |      |
|-----|------|-----------|-----|--------------------------|-----------|-------|------|
|     |      | P         | LTR | DESCRIPTION              | DATE      | DWN   | APVD |
| A1  | -    |           | F2  | REVISED BY ECO-11-005294 | 06APR2011 | HMR   | -    |
|     |      |           | F3  | New CAD drawing created. | 20JUN2013 | Kirs. | Eder |
|     |      |           | F4  | ECR-15-012070            | 13AUG2015 | JB JH | BK   |
|     |      |           |     |                          |           |       |      |



- 1 IN CRIMP AREA TIN PLATED  
Im Crimpbereich verzinkt
- 2 CONTACT BODY: PRE SILVER min. 0.8 μm  
CONTACT AREA: PRE SILVER min. 3 μm  
Kontaktkoerper: vorversilbert min. 0.8 μm  
Kontaktzone: vorversilvert min. 3 μm

| CONDUCTOR CROSS-SECTION IN mm <sup>2</sup><br>Leitungsquerschnitt in mm <sup>2</sup> |   | SINGLE CONNECTION<br>Einzelanschlag |      |      |      |      |      |
|--|---|-------------------------------------|------|------|------|------|------|
|  |   | 0.35                                | 0.50 | 0.75 | 1.00 | 1.50 | 2.00 |
| 0.35   |   | X                                   | X    |      |      |      |      |
| 0.50   | X | X                                   | X    |      |      |      |      |
| 0.75   | X |                                     |      |      |      |      |      |
| 1.00   | X |                                     |      |      |      |      |      |
| 1.50   |   |                                     |      |      |      |      |      |
| 2.00   |   |                                     |      |      |      |      |      |

WIRE SIZE RANGE: 0.5-1.0mm<sup>2</sup>  
 Drahtgroessenbereich: 0.5-1.0mm<sup>2</sup>

CRIMPING CONDUCTOR: FLKY WIRE  
 CONDUCTOR: F-CRIMP  
 INSULATION: OVERLAPPING CRIMP

angeschlagener Leiter: FLKY Leitung  
 Leiter: F-Crimp  
 Isolation: Ueberlappungscrimp

|  |  |  |             |  |                    |
|--|--|--|-------------|--|--------------------|
| THIS DRAWING IS A CONTROLLED DOCUMENT. |  | DWN<br>Herth                                   | 17 JUL 1984 | <b>TE Connectivity</b>                               |                    |
|  |  | CHK<br>Herth                                   | 17 JUL 1984 |  |                    |
|  |  | APVD<br>C. Goepfel                             | 20 JUN 2013 | NAME<br>JUNIOR-TIMER CONTACT<br>Junior-Timer Kontakt |                    |
| DIMENSIONS:<br>mm                      |  | TOLERANCES UNLESS OTHERWISE SPECIFIED:<br>±0.2 |             | PRODUCT SPEC<br>-                                    |                    |
| MATERIAL<br>-                          |  | FINISH<br>-                                    |             | APPLICATION SPEC<br>-                                |                    |
|  |  | WEIGHT<br>-                                    |             | SIZE<br>A3   | CAGE CODE<br>00779 |
|  |  | Customer Drawing                               |             | DRAWING NO<br>C-927845                               | RESTRICTED TO<br>- |
|  |  | SCALE<br>5:1                                   |             | SHEET<br>1   | OF 1               |
|  |  |  |             | REV<br>F4  |                    |